

SOONFIRE

CE RoHS  

High performance-price ratio | Excellent customer support

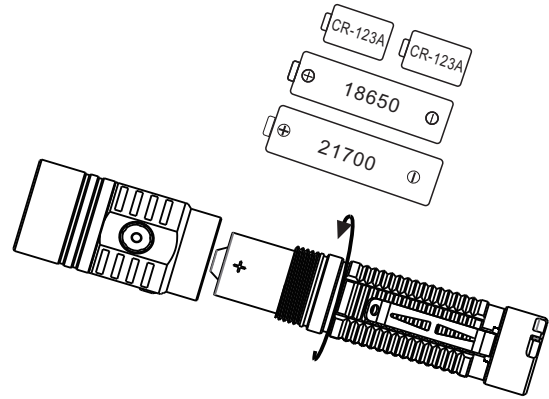
Email:sale@soonfire.com

Website:http://www.soonfire.com

Activate your warranty:

http://www.soonfire.com/warranty

①



Working Voltage: 2.7-8.4V

Powered by 1* 21700 battery / 1* 18650 battery / 2 x CR123A (Differences in body diameter support)

CHARGE the flashlight before use.

SCREW DOWN the Body before charging / use

②

User Manual for the Flashlight

A. Press the switch for 0.5 seconds to turn on - Set the switch on "low-middle-ultra-bright mode" brightness - Press the switch for 0.5 seconds to turn off and memorize last mode.

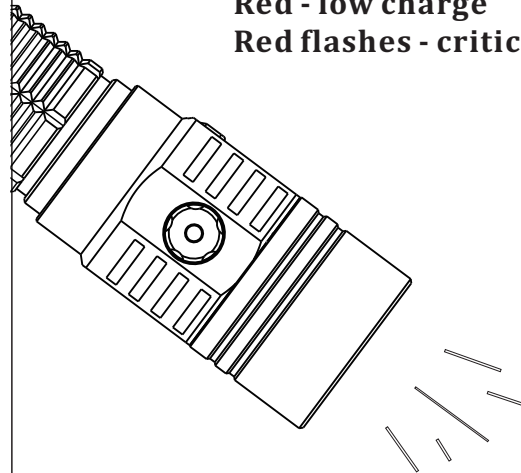
B. Quickly double-click the switch to choose "ultra-bright mode" - Quickly double-click the switch again to set "Strobe and SOS mode"

C. While in turn off state: Press the switch for 3 seconds to set "Low". Press the switch for 3 seconds again to set "Locking" - Quickly click three times the switch to set "Unlocking".

The high brightness mode has a limit of 3 minutes. The original state can be restored after charging.

③

Blue - fully charged
Blue flashes - charge sufficient
Red - low charge
Red flashes - critical



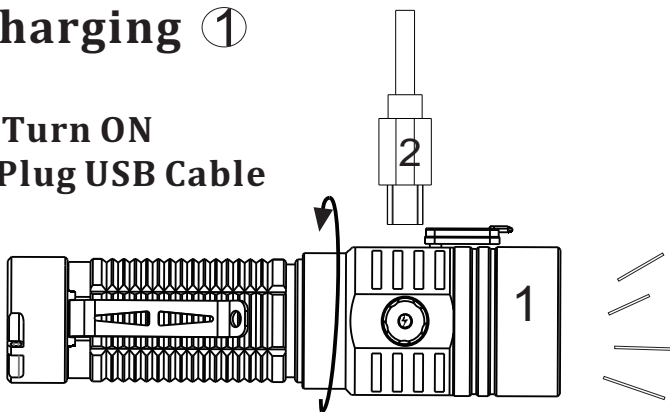
Smart brightness adjustment

Loose the body to avoid accidental activation
Charge at least once every 6 months

④

Charging ①

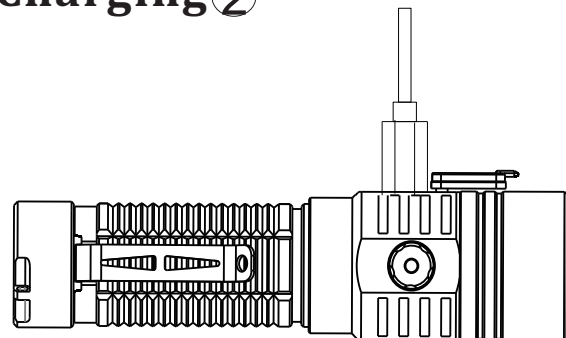
1. Turn ON
2. Plug USB Cable



NOTE:
Red fast flashing - abnormal charging
(SCREW DOWN the End Body)

⑤

Charging ②

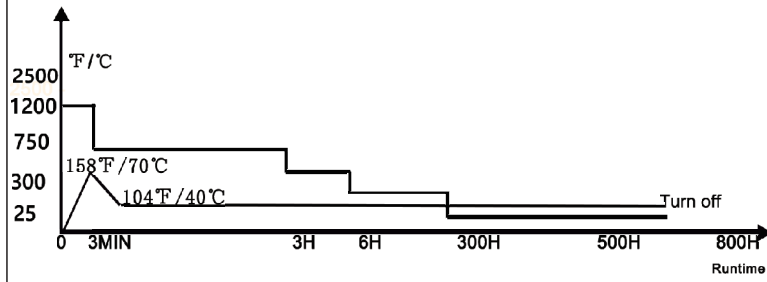


Blue - fully charged
Red - while charging
Only low modes are available while charging.
Press the switch for 2 seconds to turn on.

⑥

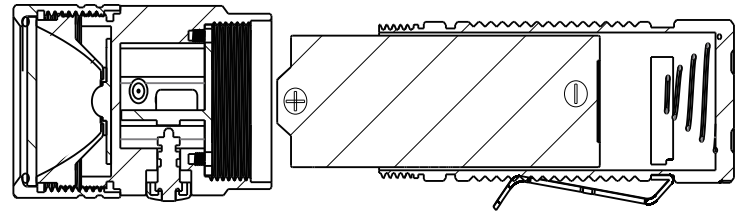
ITS Smart Temperature Control System

Output: Lumens



1. Brightness automatically decreases with time.
2. High brightness mode has a limit of 3 minutes.
3. The usage time varies depending on the battery capacity.

⑦



Section structure diagram

Schematic circuit diagram

Regularly cleaning the battery contacts (by using a cotton swab soaked in rubbing alcohol) can improve the flashlight's performance as dirty contacts may cause the flashlight to stop working.

⑧

Drücken den Schalter 0.5 Sekunde, Ein- und Ausschalten Drücken Sie den Seitenschalter, um das Licht ein/auszuschalten, um durch niedrige, mittlere und hohe zu wechseln.
Doppelklicken Sie auf Turbo, um aus jedem Modus zu wechseln. Ein weiterer Doppelklick, um Strobe zu erhalten.
Speicherfunktion:
 Wenn das Licht ausgeschaltet ist, drücken und halten Sie den Seitenschalter, um den Feuermodus zu erhalten.
Sperrfunktion, Des dreifachen Klickens des Schalters, um ihn zu entriegeln.

⑨

ALLUMER / ÉTEINDRE

Un clic simple sur l'interrupteur latéral 0.5s pour allumer ou éteindre la lampe.

CHANGER DE MODE

Pointe et clique: brillant bas-brillant- hyper brillant

Faire un double clic pour mettre le mode turbo depuis n'importe quel mode. Faire un second double clic pour le mode Stroboscope.

FONCTION MÉMOIRE

La lampe s'allumera avec le dernier mode utilisé hormis si celui-ci était le mode Luciole, Turbo ou Stroboscope.

Fonction de verrouillage, l'exception du triple clic de l'interrupteur pour le déverrouiller

⑩

Premere l'interruttore secondi entra modo di illuminazione clic: luce - luce normale - super luminoso ,premere l'interruttore per 1 secondi spegnere e memorizza modalità .

Scorciatoia per lucciola:

quando la luce è spenta, tenere premuto l'interruttore laterale per accedere alla modalità fuoco.

Fare doppio clic su Turbo per passare da ciascuna modalità. Un altro doppio clic per ottenere lo strobo.

Funzione di memoria:

La luce si accende nell'ultima modalità, ad eccezione di incandescenza, turbo e strobo.

Funzione di blocco, eccezione del triplo clic dell'interruttore per sbloccarlo.

⑪

Encendido/apagado.

Pulse el interruptor de 0.5 segundos y comienza el modo de iluminar

Haga clic: bajo-brillante, medio-brillante , super-brillante. Pulse el interruptor de 0.5 segundos , por eso se cierre la linterna y conservarse la memoria de ese modo.

Acceso directo a luciérnaga: Cuando la luz está apagada, pulsa y mantén pulsado el interruptor lateral para obtener el modo de luciérnaga. Haz doble clic para cambiar al turbo desde cualquier modo. Otro doble clic para obtener luz estroboscópica.

Función de memoria:

La luz se encenderá en el último modo accesible, excepto para luciérnaga, turbo y estroboscópico.

Función de bloqueo, excepto el triple clic del interruptor para desbloquearlo.

⑫